

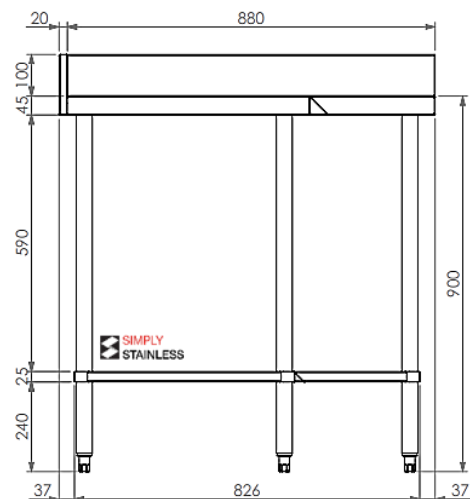


# SIMPLY STAINLESS

www.simplystainless.com



SPECIFICATION	
Tops	High quality 304 grade stainless steel 1.0mm gauge, no. 4 finish, 100mm upstand (150mm on 700 series)
Top hat channel	Reinforcing Channel made from 1.0mm stainless steel
Frames	38mm round stainless steel tube, satin polished, machined collars, adjustable bullet feet
Undershelves	1.0mm gauge, high quality stainless steel, no. 4 finish, top hat stiffening with channels



IND - 04	CORNER BENCH	
	Product Code	Dimensions
	IND - 04.6.0900	900mm x 600mm x 900mm
	IND - 04.7.0900	900mm x 700mm x 900mm (150mm bevelled upstand)